

Mentor MP drive ratings

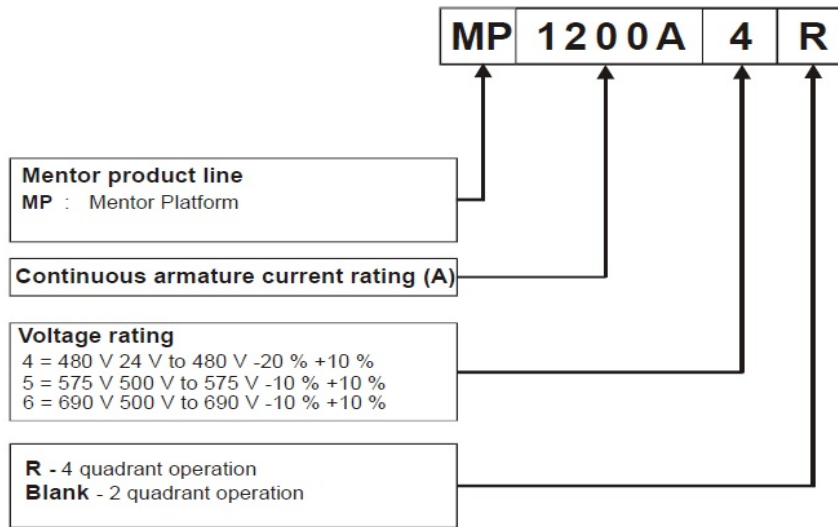


Table 2-2 400 V current ratings

Model	AC input current		DC output current		Typical motor power	
	Continuous	Continuous	150 % overload	@ 400 Vdc	@ 500 Vdc	
	A	A	A	kW	hp	
MP25A4(R)	22	25	37.5	9	15	
MP45A4(R)	40	45	67.5	15	27	
MP75A4(R)	67	75	112.5	27	45	
MP105A4(R)	94	105	157.5	37.5	60	
MP155A4(R)	139	155	232.5	56	90	
MP210A4(R)	188	210	315	75	125	
MP350A4(R)	295	350	525	125	200	
MP420A4(R)	350	420	630	150	250	
MP550A4(R)	450	550	825	200	300	
MP700A4(R)	585	700	1050	250	400	
MP825A4(R)	665	825	1237.5	300	500	
MP900A4(R)	725	900	1350	340	550	
MP1200A4(R)	1050	1200	1800	450	750	
MP1850A4(R)	1570	1850	2775	700	1150	

Table 2-3 575 V current ratings

Model	AC input current	DC output current		Typical motor power (With Vdc = 630 V)	
	Continuous	Continuous	150 % overload	kW	hp
	A	A	A		
MP25A5(R)	22	25	37.5	14	18
MP45A5(R)	40	45	67.5	25	33
MP75A5(R)	67	75	112.5	42	56
MP105A5(R)	94	105	157.5	58	78
MP155A5(R)	139	155	232.5	88	115
MP210A5(R)	188	210	315	120	160
MP350A5(R)	295	350	525	195	260
MP470A5(R)	395	470*	705	265	355
MP700A5(R)	585	700	1050	395	530
MP825A5(R)	665	825*	1237.5	465	620
MP1200A5(R)	1050	1200	1800	680	910
MP1850A5(R)	1570	1850	2775	1045	1400

Table 2-4 690 V current ratings

Model	AC input current	DC output Current		Typical motor power (With Vdc = 760 V)	
	Continuous	Continuous	150 % Overload	kW	hp
	A	A	A		
MP350A6(R)	295	350	525	240	320
MP470A6(R)	395	470*	705	320	425
MP700A6(R)	585	700	1050	480	640
MP825A6(R)	665	825*	1237.5	650	850
MP1200A6(R)	1050	1200	1800	850	1150
MP1850A6(R)	1570	1850	2775	1300	1750